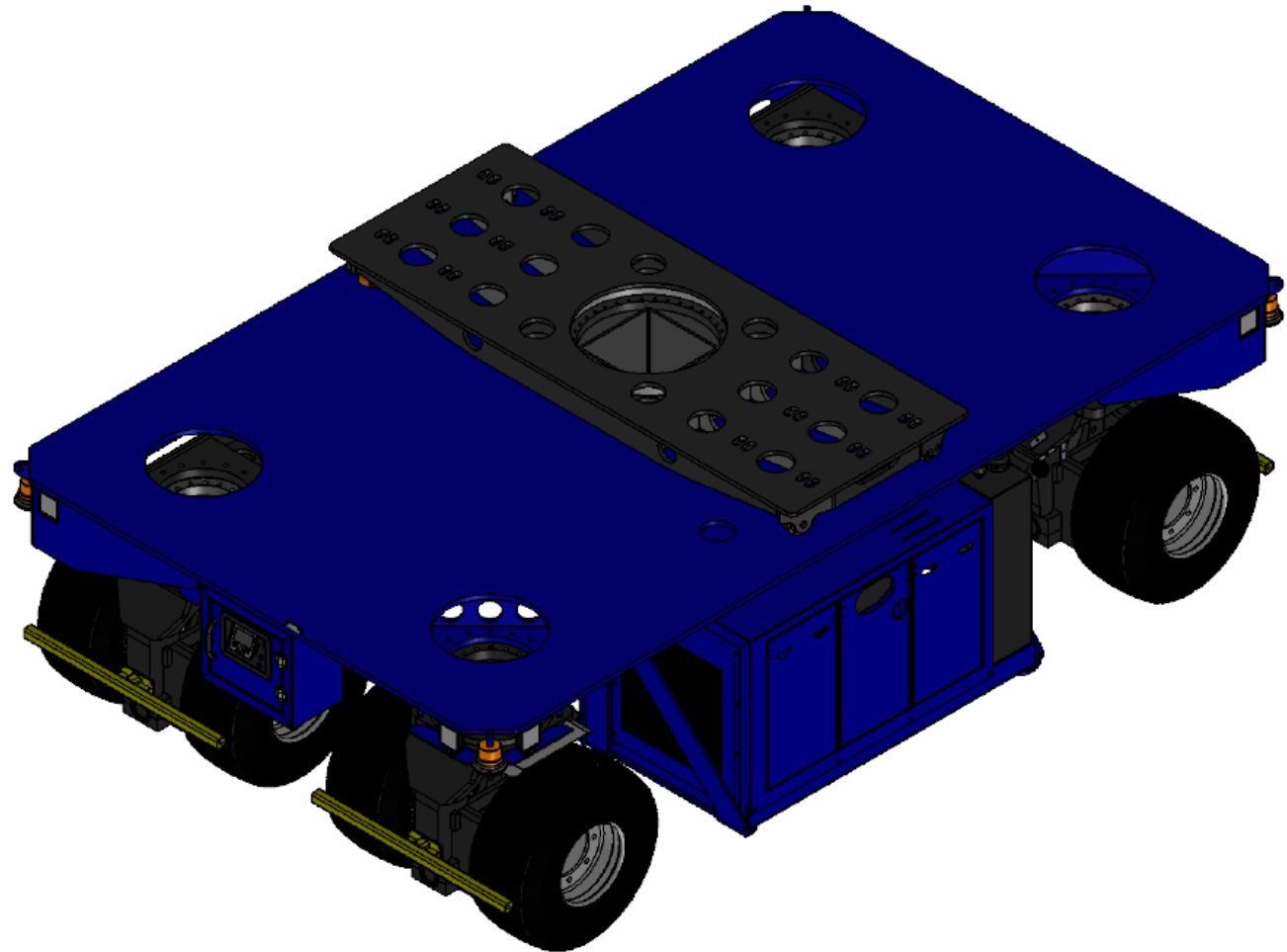
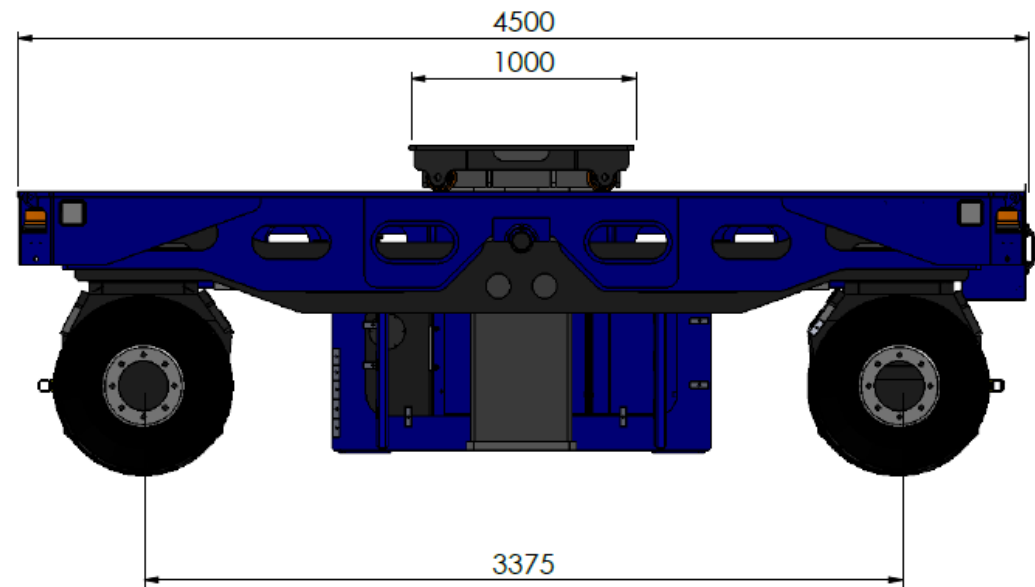
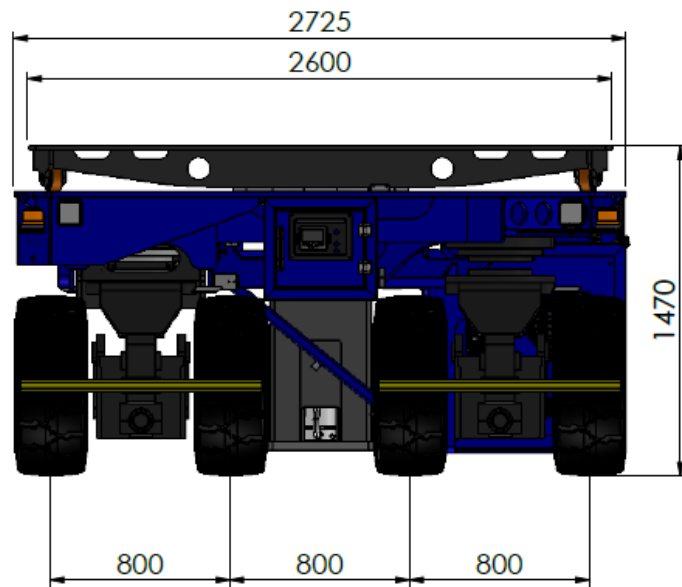
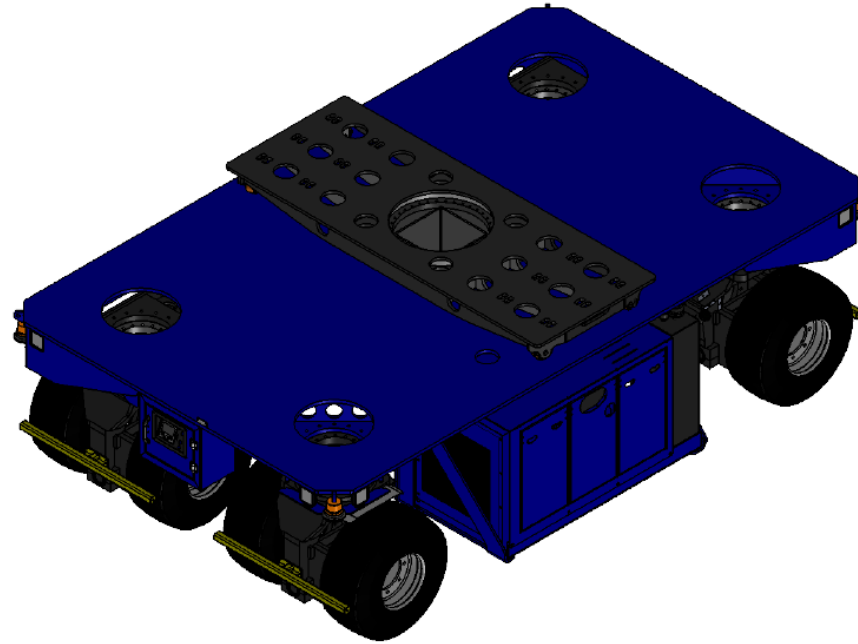


Machine Specifications

- Deutz Tier IV Engine
- Multi Directional Steering
- Hydrostatic Drive
- Remote Control Operated
- 4km/h Drive Speed
- Turntable with 360° Rotation
- Synchronised Operation
- 35T Capacity







Wheel Loadings	Unladen (12,500kg Mass)	15,000kg Loading	25,000kg Loading	35,000kg Loading
Mass on each Tyre (8) (kg)	1563	3438	4688	5938
Area (cm ²)	337.6	669.9	800.7	900.3
Pressure (kg/cm ²)	4.63	5.13	5.86	6.60
Pressure (kPa)	454.04	503.08	574.66	647.23