

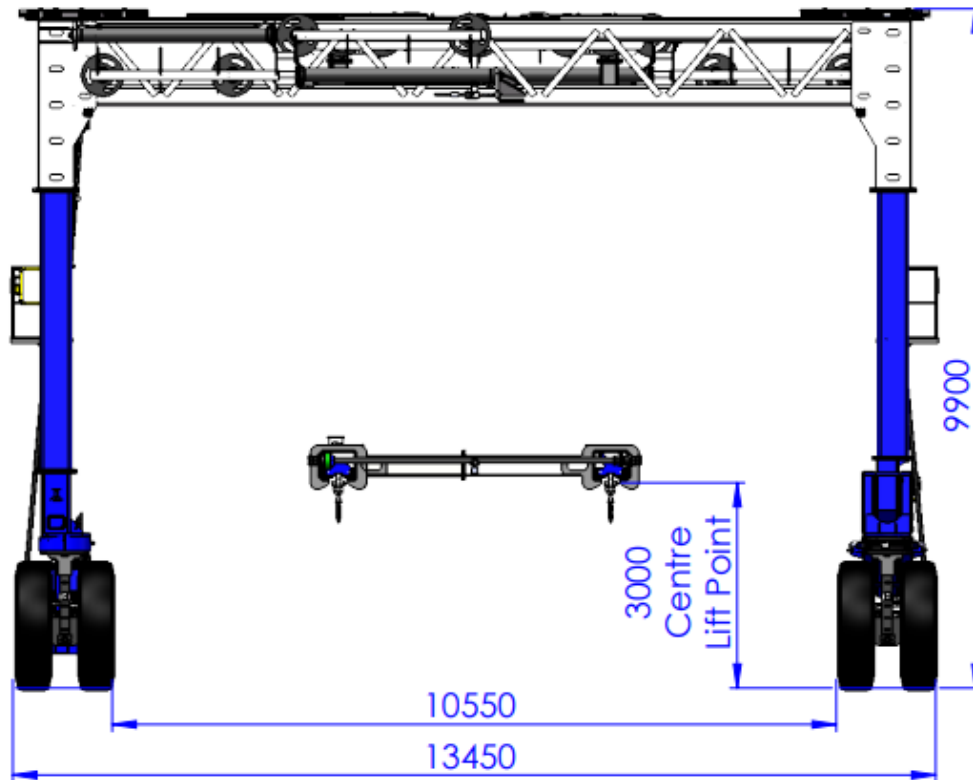
Spec:

- 90T Capacity
- 125HP John Deere Engine
- 5m Lift Stroke
- Full Sideshift Left To Right (6m)
- 8 Wheel Drive
- 4 Wheel Brake
- 4 Wheel Steer
- Suspension
- Remote Control Operated
- Special Attachment With Movable Delta Plate Lift Points
- Special Fold Down Walkways With Fold Out 75° Ladders & Safety Gates

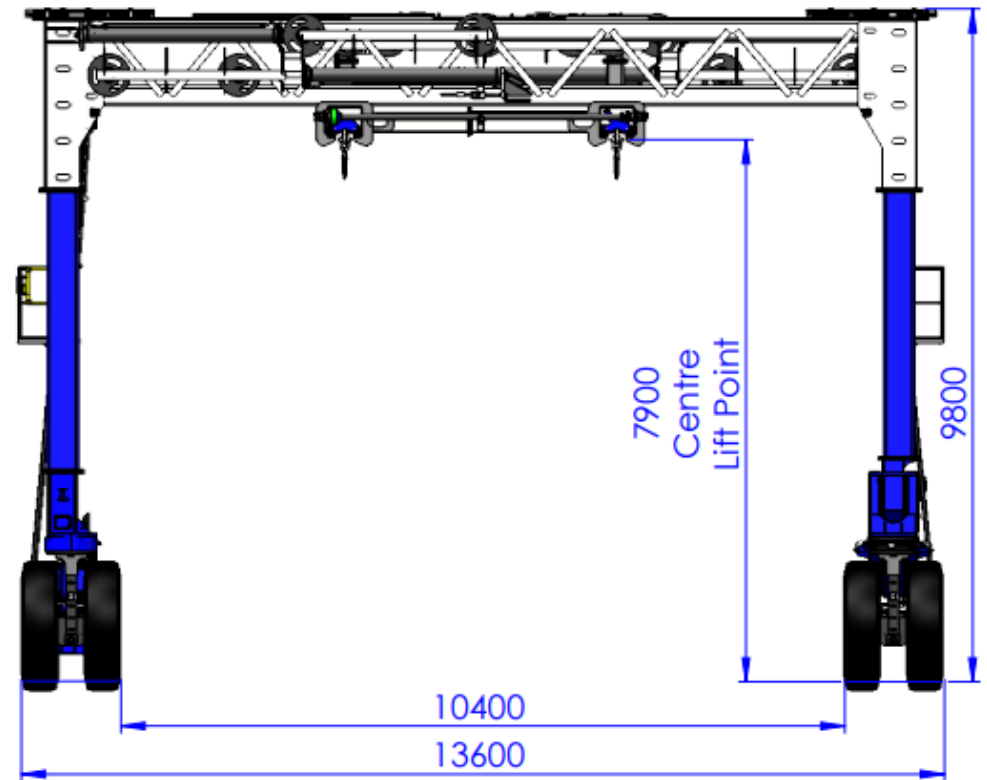
COMBiLiFT
LIFTING INNOVATION

PROJECT
DRY HIRE

Unloaded Dimensions
Lift Fully Lowered



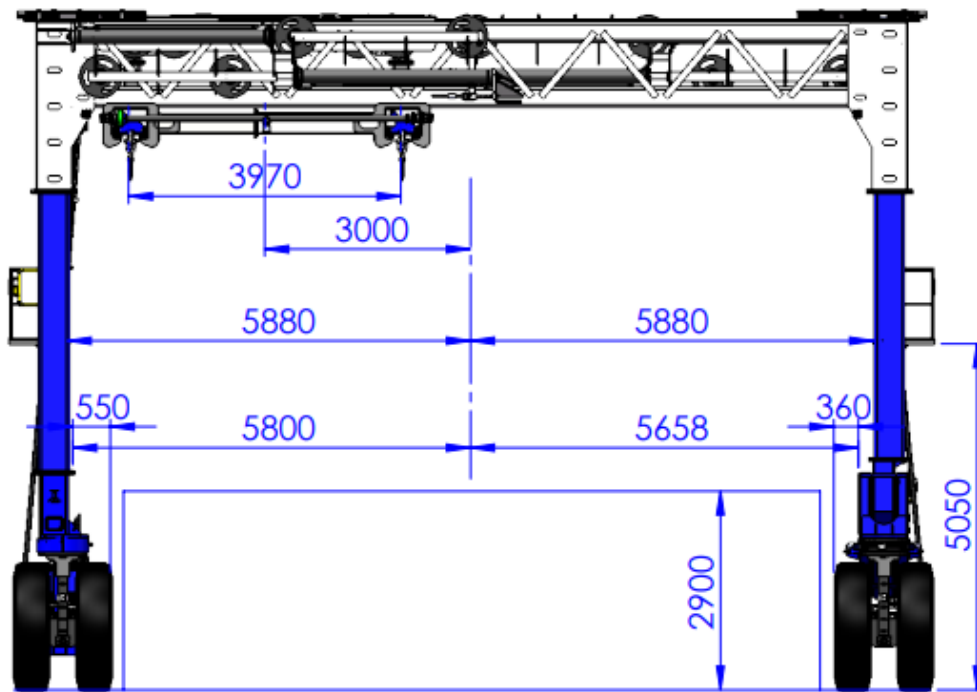
Loaded Dimensions
Lift Fully Raised



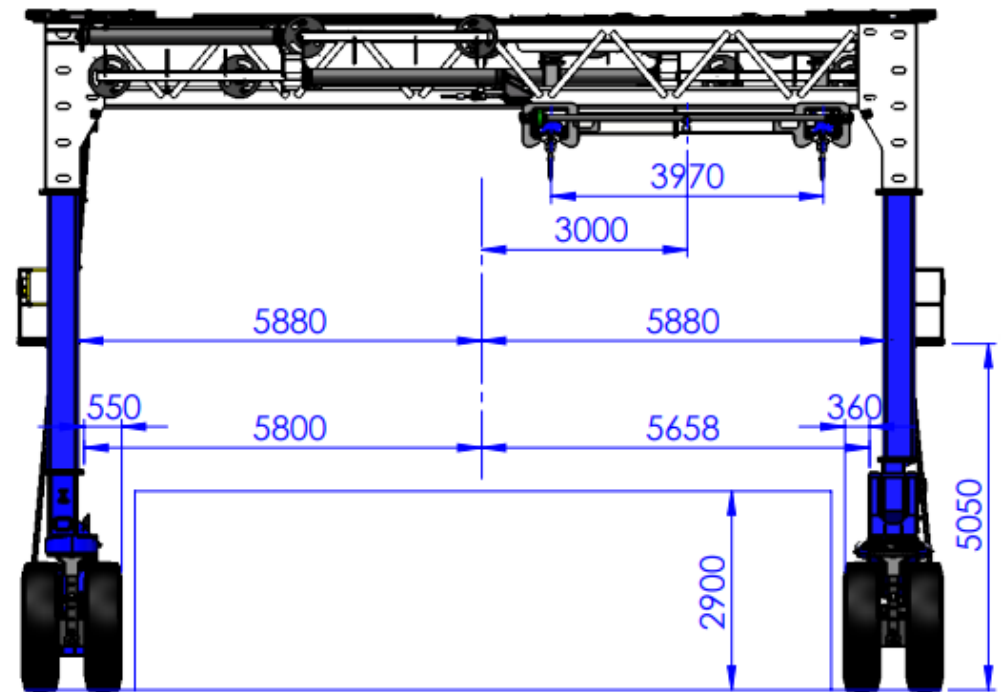
COMBiLiFT
LIFTING INNOVATION

PROJECT
DRY HIRE

Sideshift Fully Left

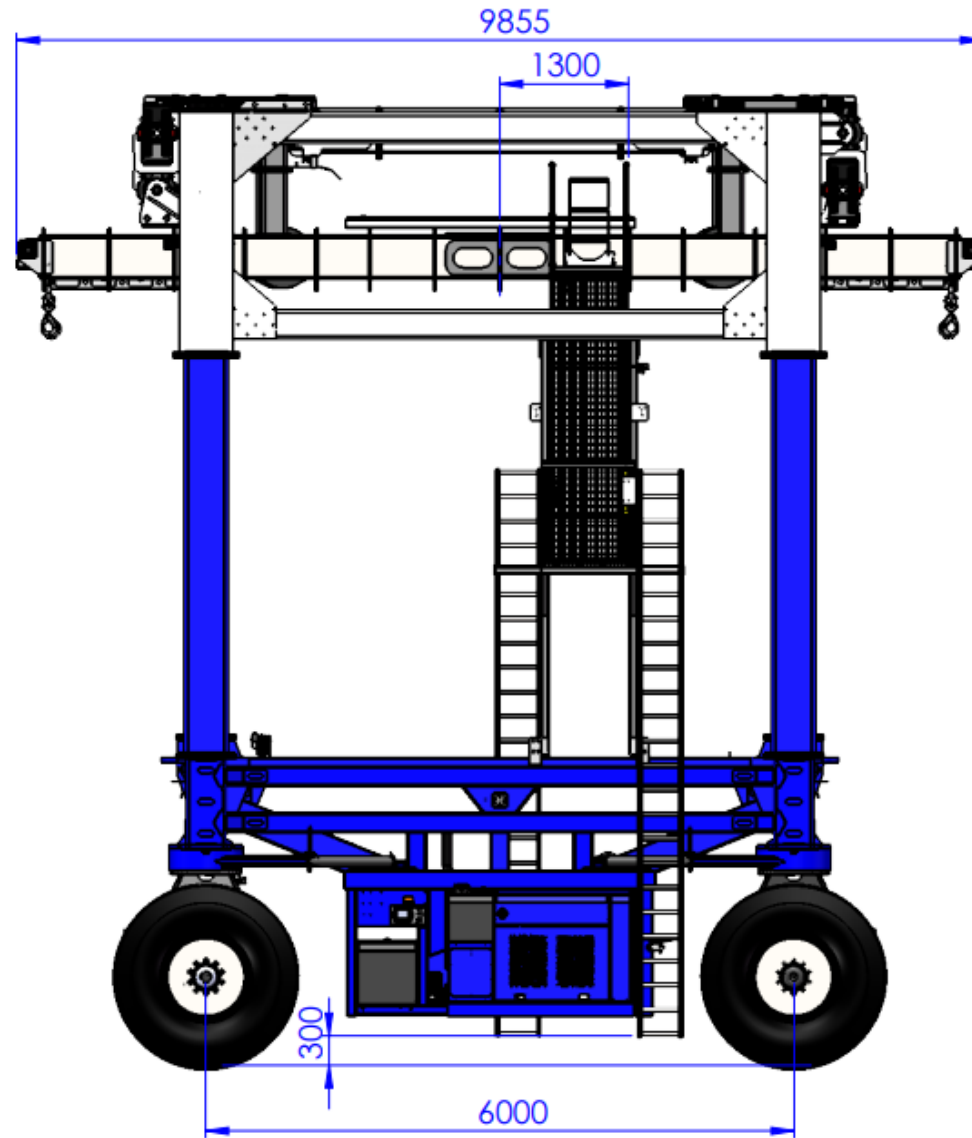


Sideshift Fully Right



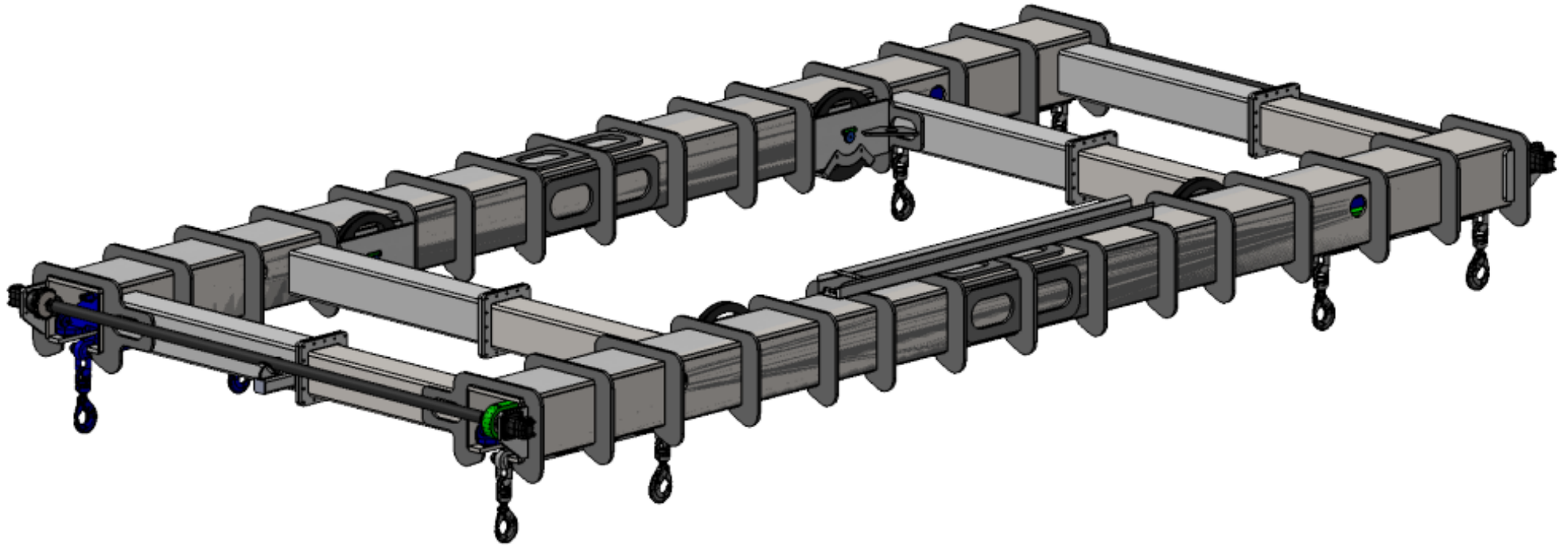
COMBiLiFT
LIFTING INNOVATION

PROJECT
DRY HIRE



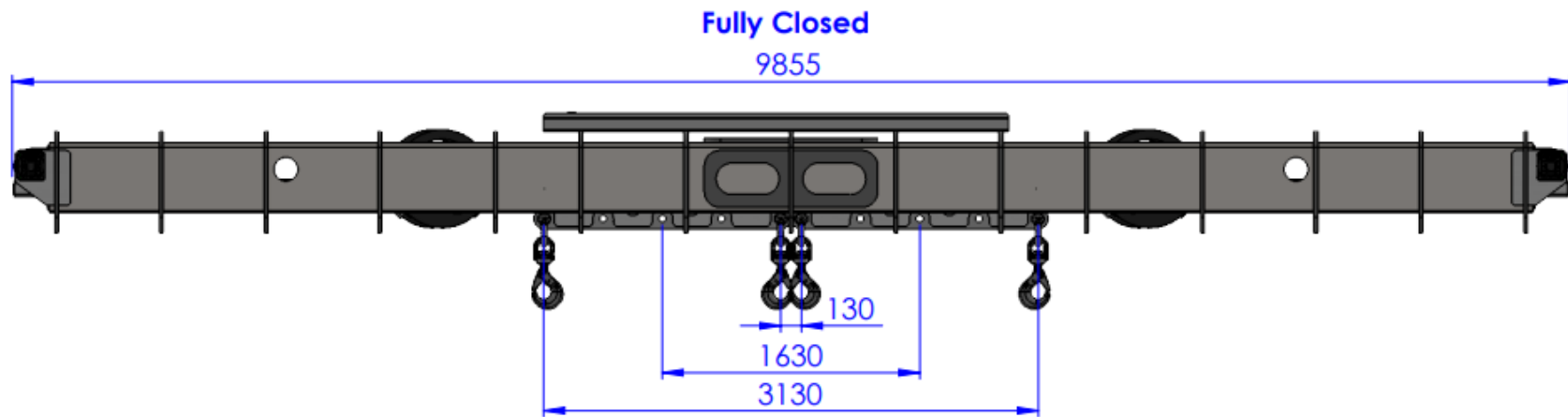
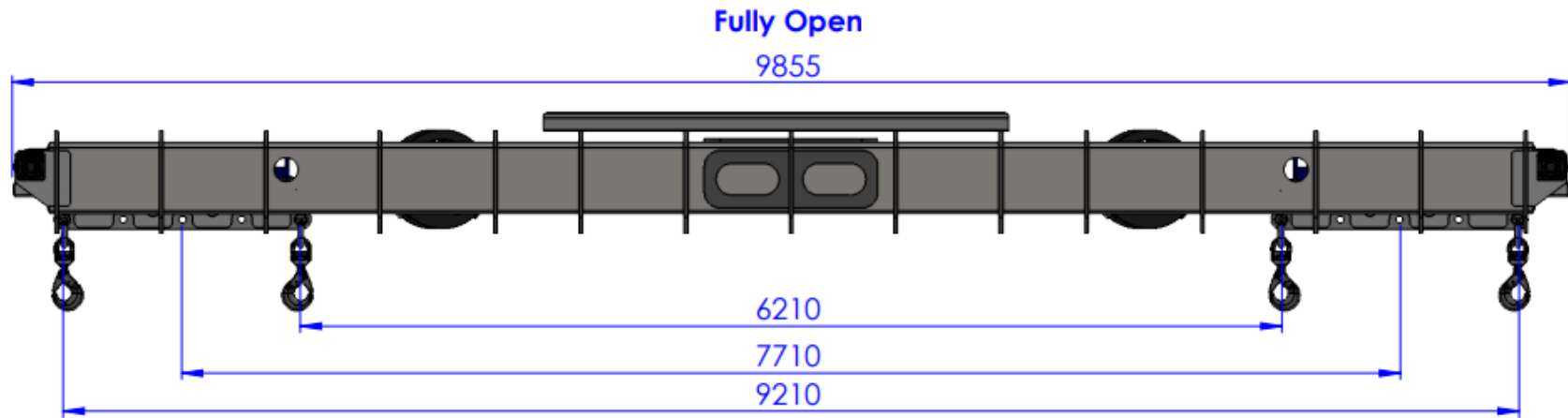
COMBiLiFT
LIFTING INNOVATION

PROJECT
DRY HIRE



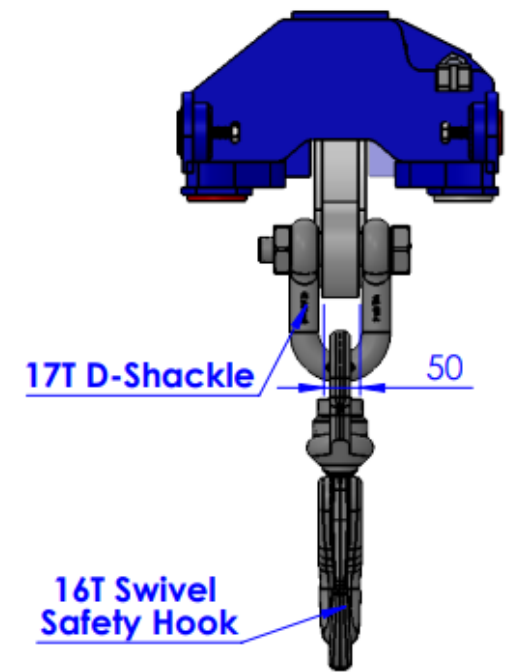
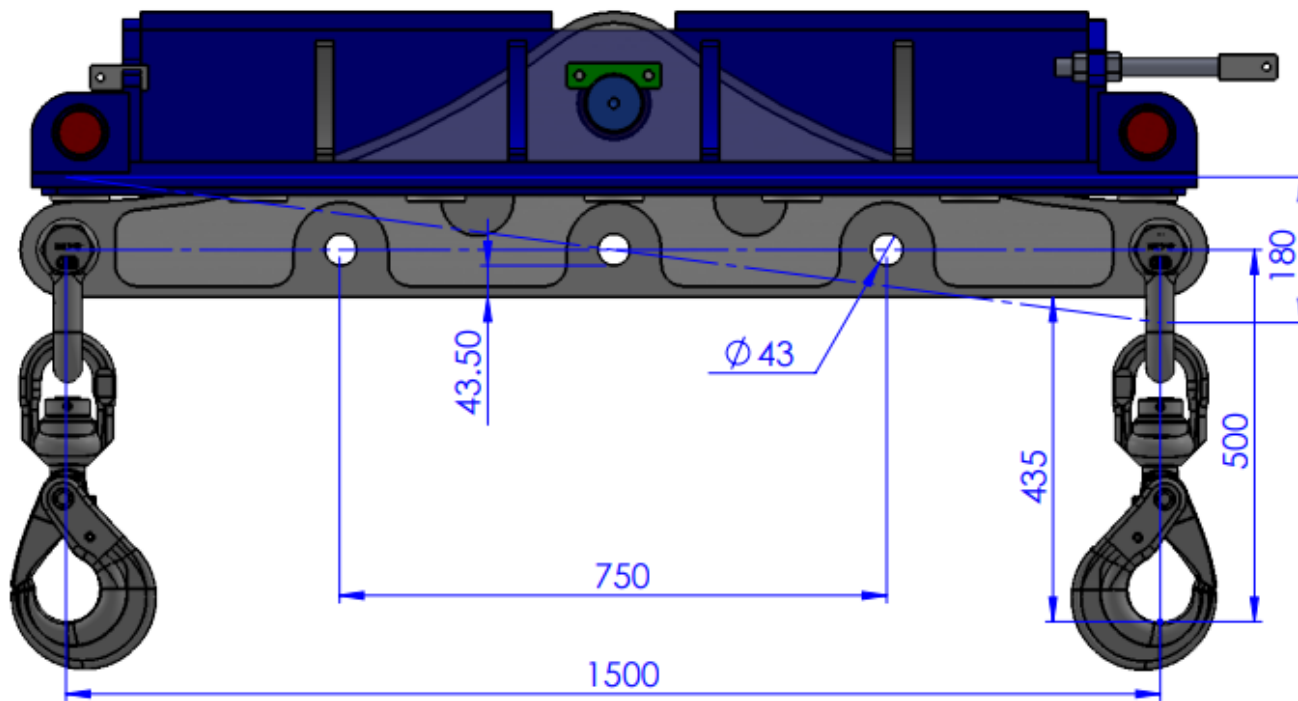
COMBiLiFT
LIFTING INNOVATION

PROJECT
DRY HIRE



COMBiLiFT
LIFTING INNOVATION

PROJECT
DRY HIRE



Delta Plate Allows 180mm Difference
Between Points Over A Distance Of 1500mm

COMBiLiFT
LIFTING INNOVATION

PROJECT
DRY HIRE