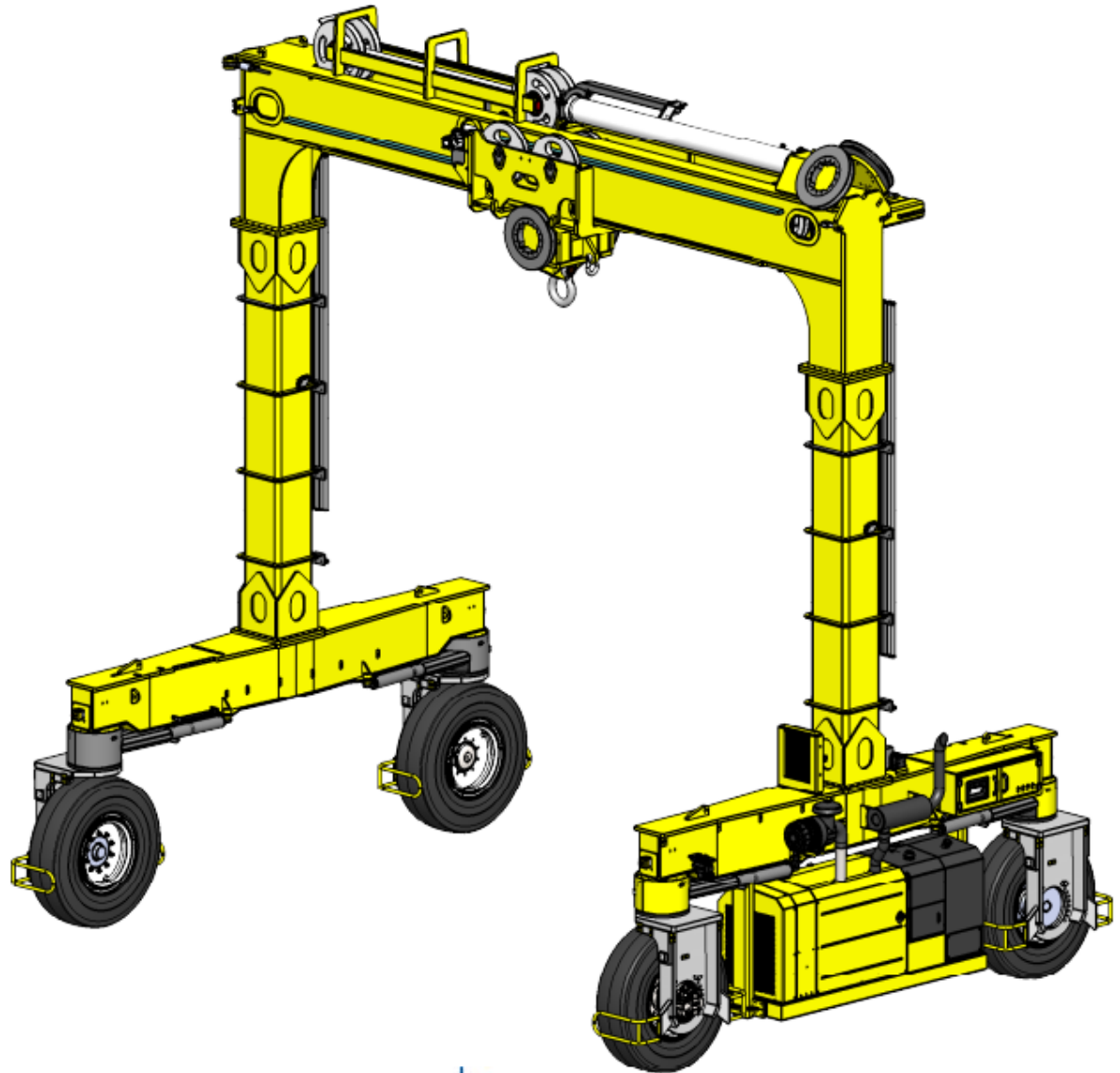


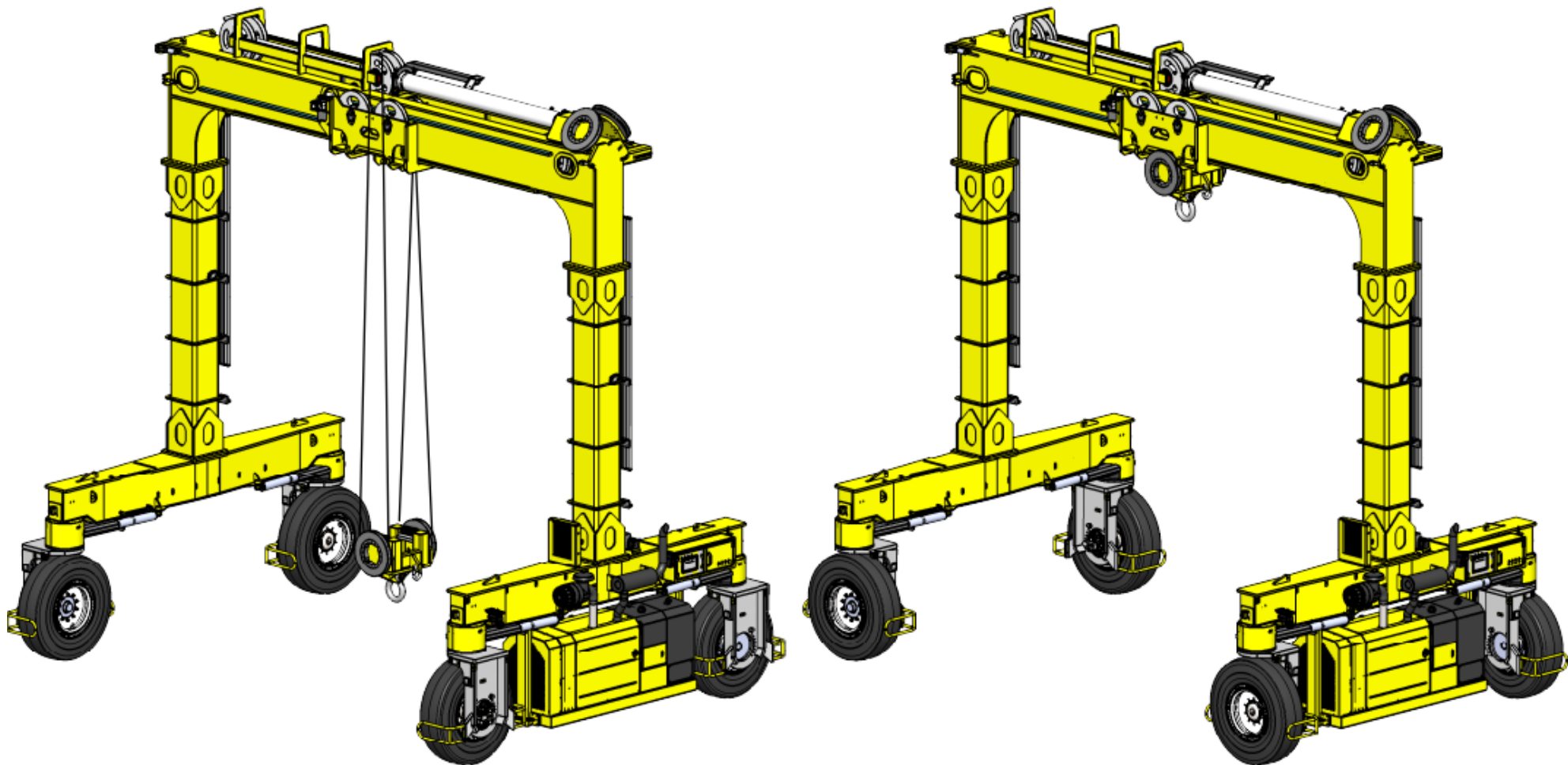
Machine Specifications

- John Deere Stage 3 Diesel Engine
- 2 Wheel Drive
- 2 Wheel Brake
- 4 Wheel Steer
- Multi-directional Steering
- 14.00-24 Pneumatic Tyres
- 5m Lift Stroke
- Full Side shift Lift to Right (4.2m Total)
- Tandem Operation
- Fully Remote Control
- Telematics
- Lockable Isolator
- Additional 1.5m Stools Included
- Fixed Bump Stops & E-stops
- Single 50T Lift Point
- 2 Additional Lift Points On Side shift Cradle As Wide As Possible
- Joining Plate for Lower Sections for Transportation
- Oil Cooler Mounted Low on Chassis
- Tie Down Points On All Sections For Transportation
- Painted Yellow RAL 1023
- Max. Lift Capacity - 50,000kg



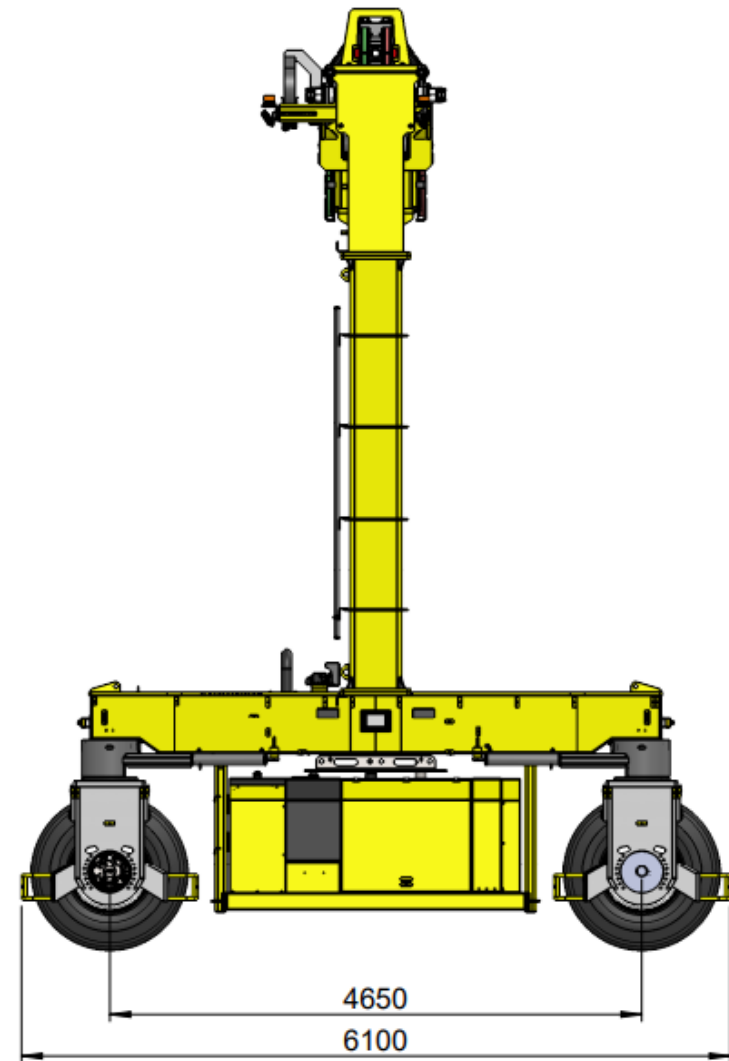
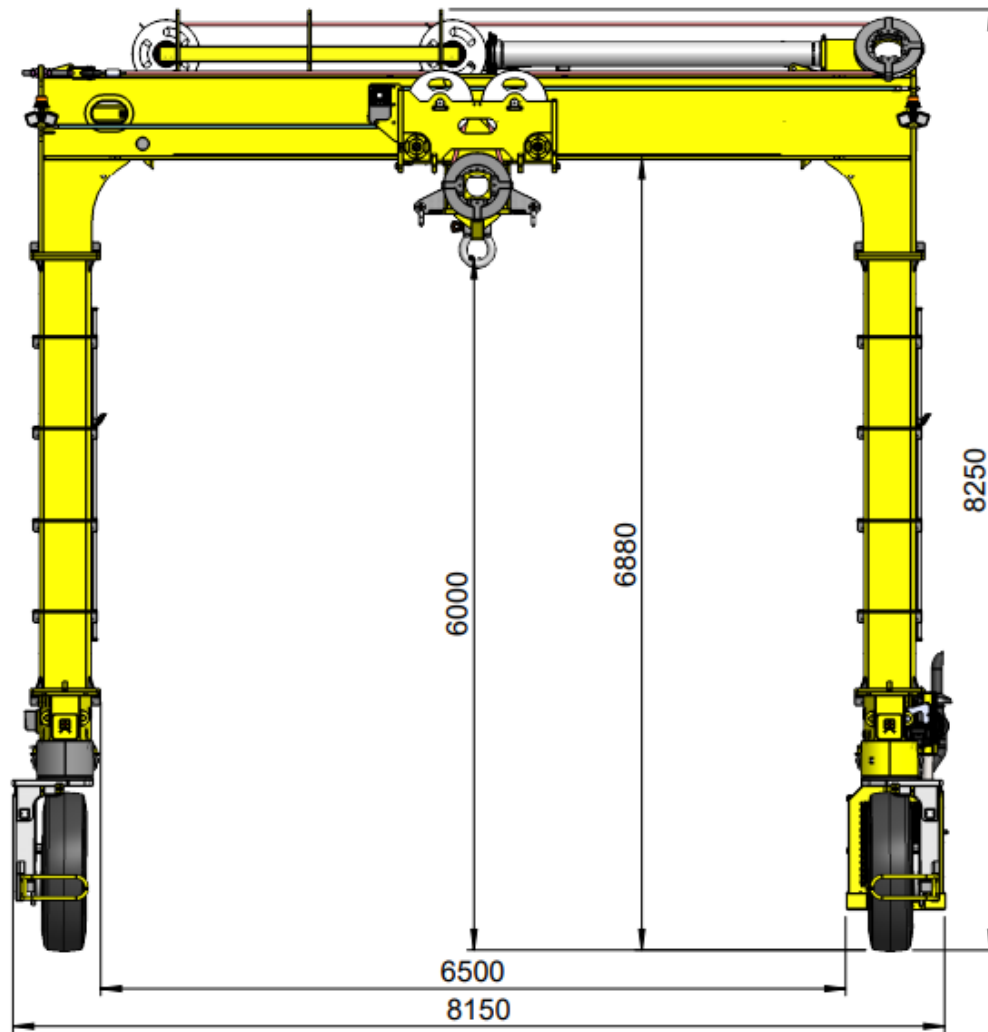
COMBiLiFT
LIFTING INNOVATION

PROJECT
DRY HIRE



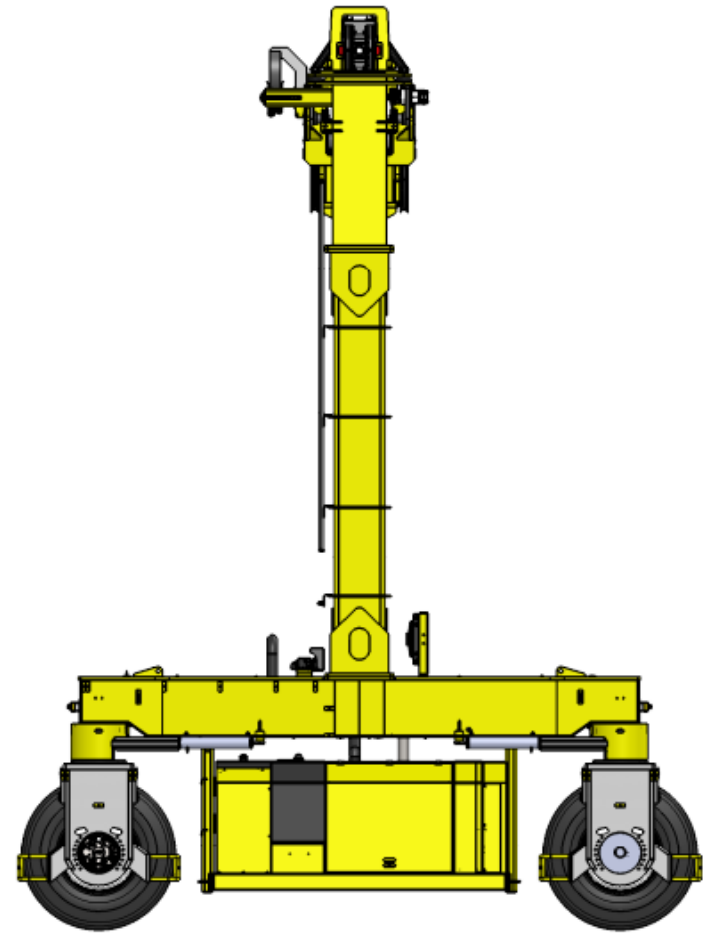
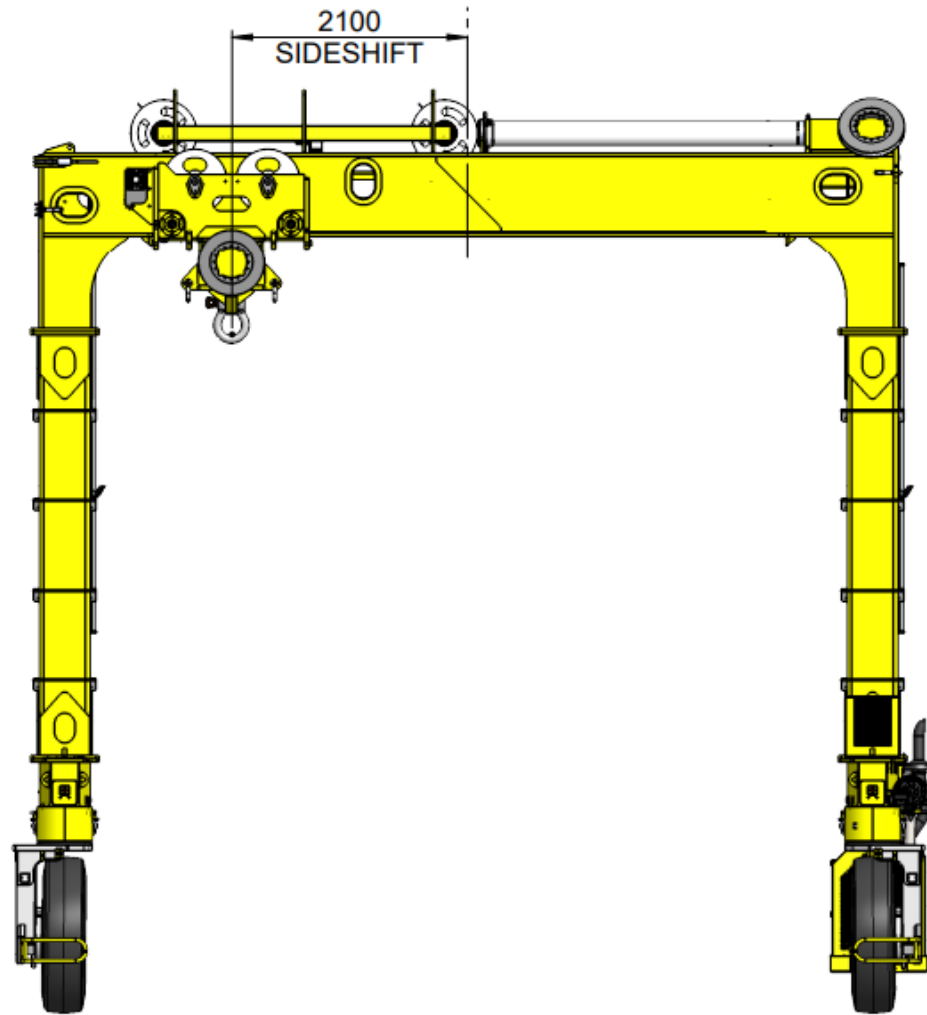
COMBiLiFT
LIFTING INNOVATION

PROJECT
DRY HIRE



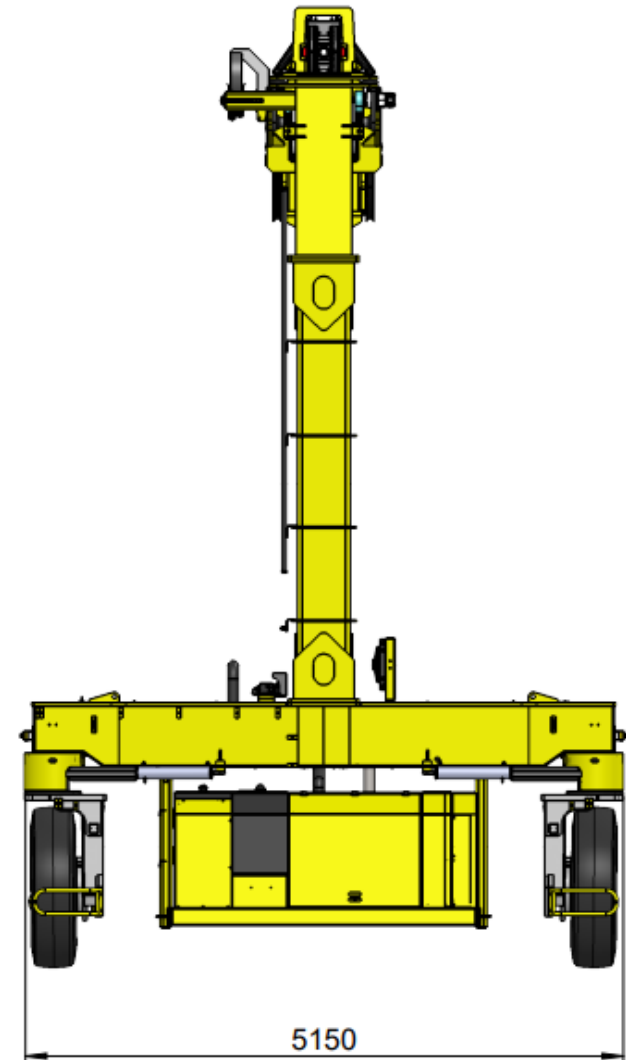
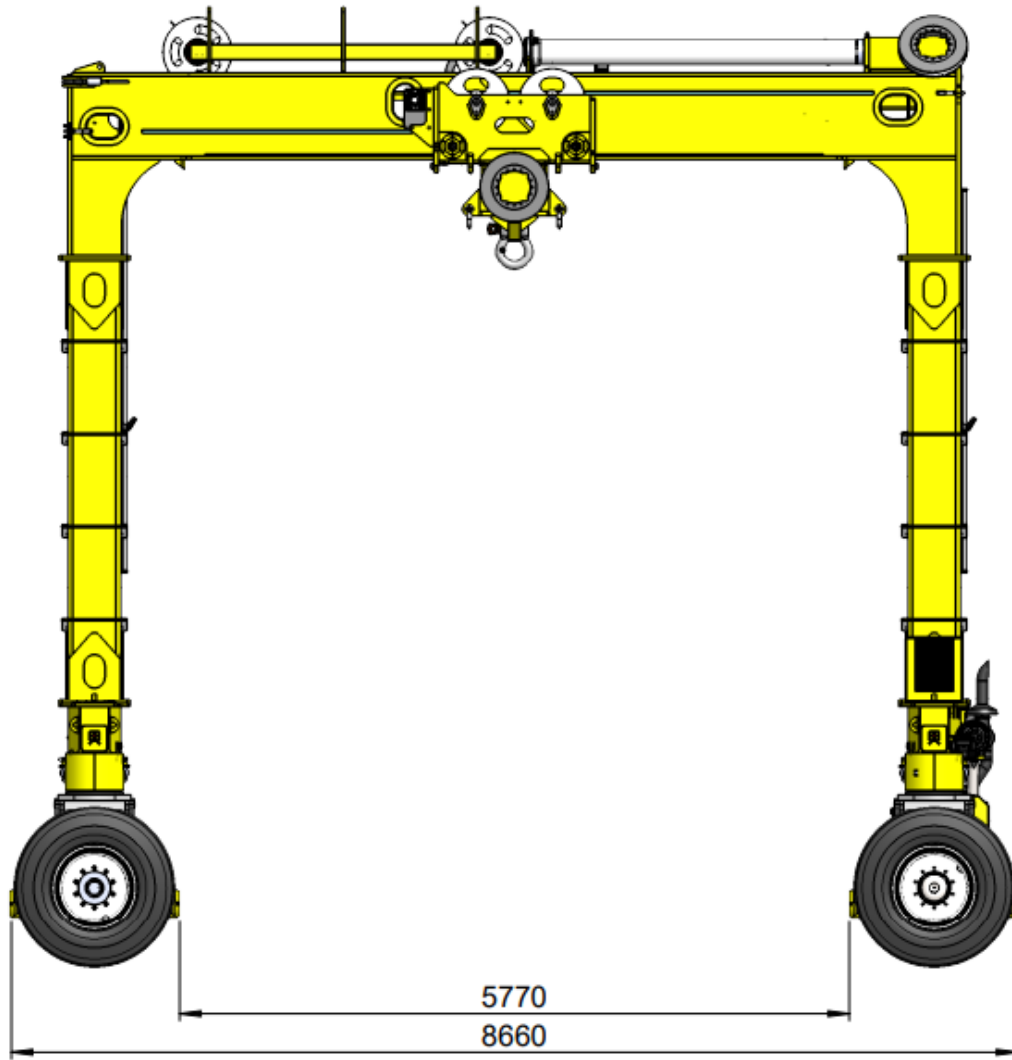
COMBiLiFT
LIFTING INNOVATION

PROSECT
DRY HIRE



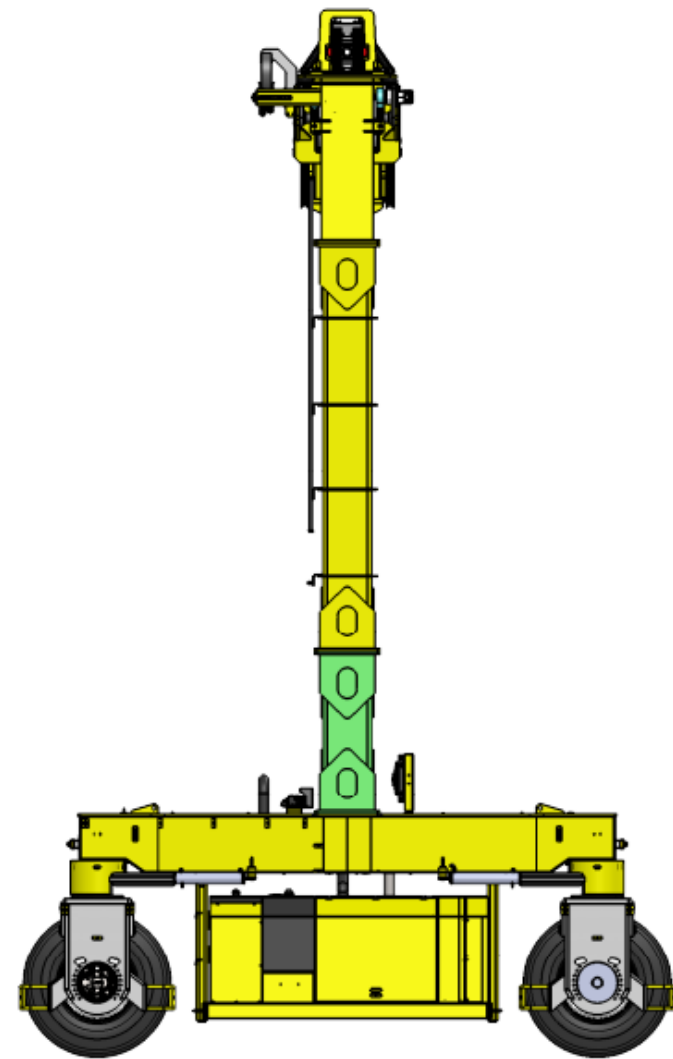
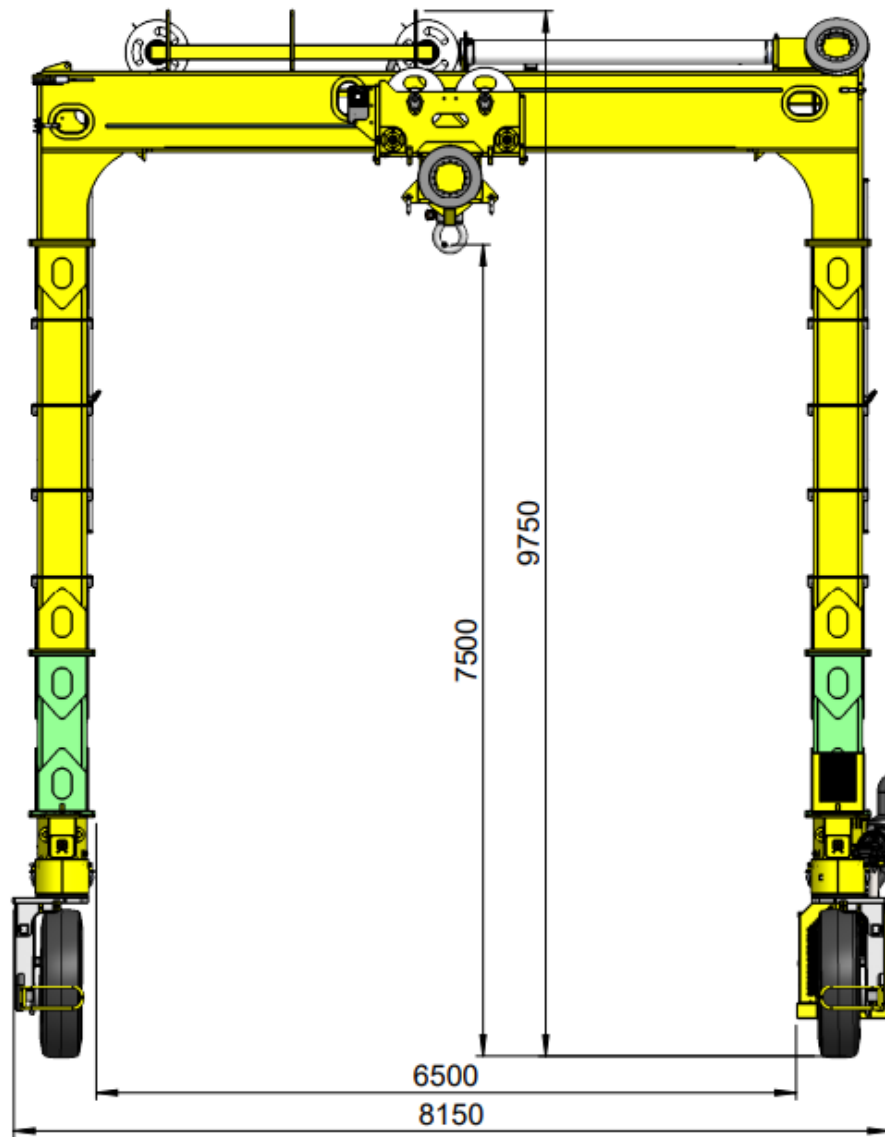
COMBiLiFT
LIFTING INNOVATION

PROJECT
DRY HIRE



COMBiLiFT
LiFTING INNOVATION

PROJECT
DRY HIRE



1.5m Extension Stools

COMBiLiFT
LIFTING INNOVATION

PROJECT
DRY HIRE