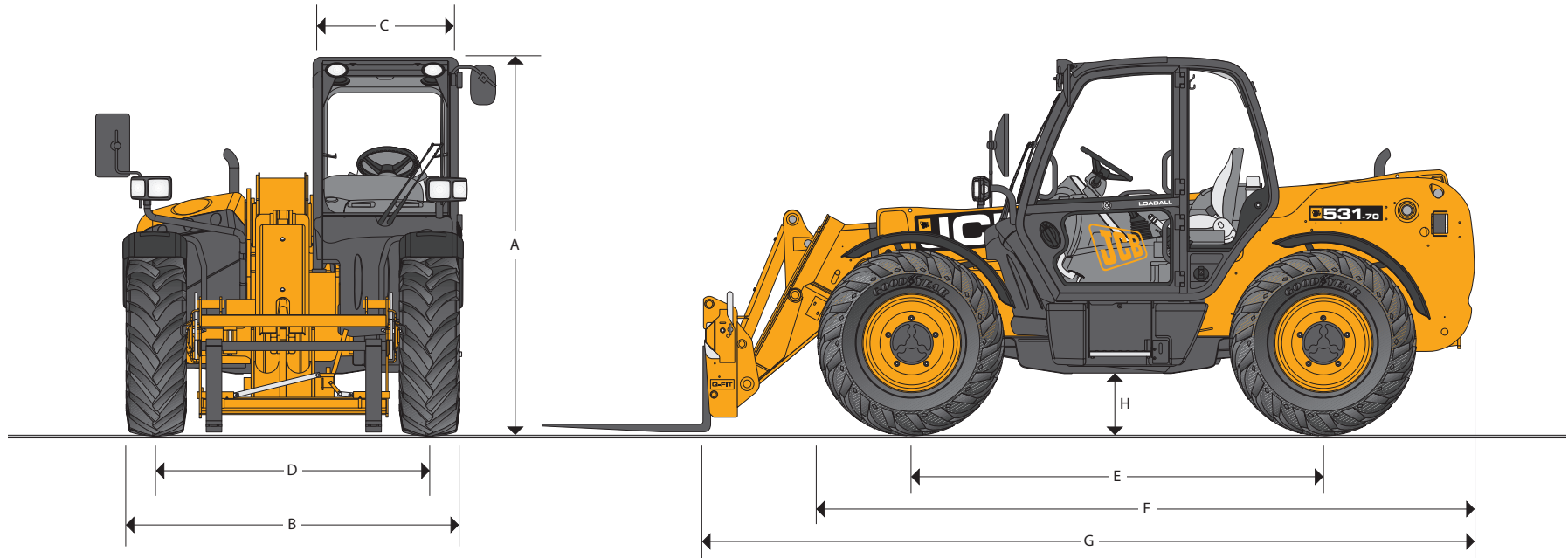




MAX PAYLOAD: 6,000 lb (2,722 kg) MAX LIFT HEIGHT: 23 ft (7.0 m) MAX HORSEPOWER: 74 hp (55 kW)



STATIC DIMENSIONS 531-70

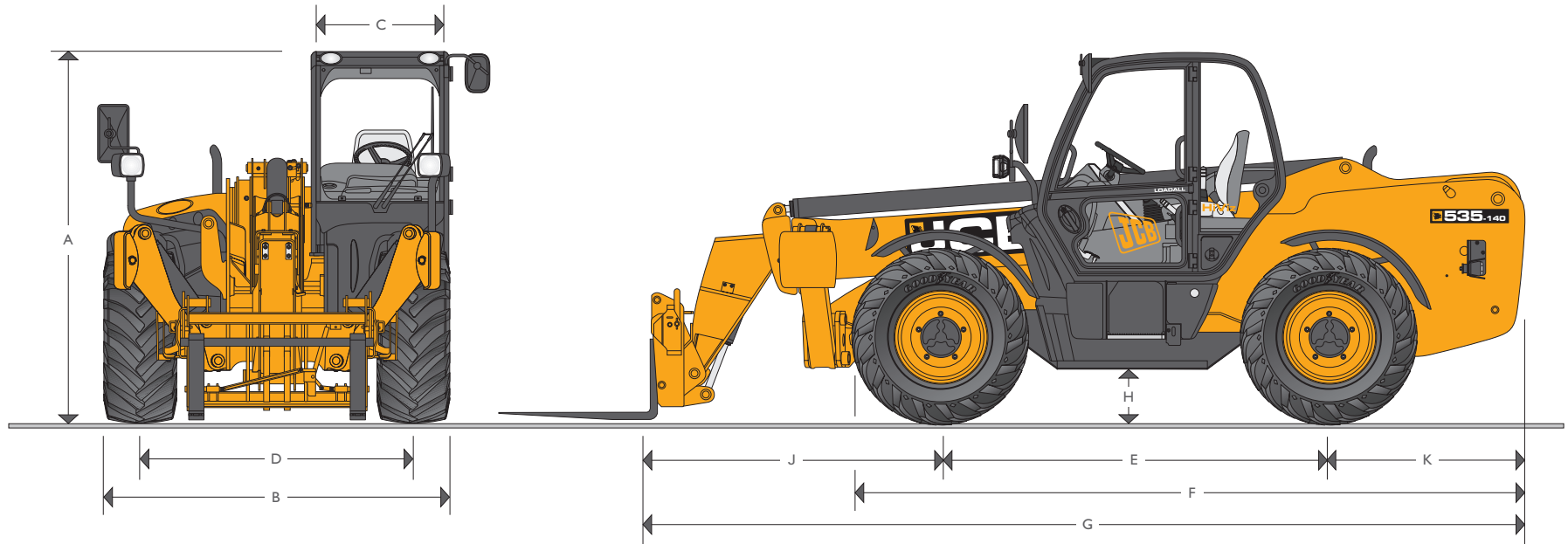
| Machine Model | 531-70 |
|---------------------------------|-------------|
| | ft-in (m) |
| A Overall Height | 8-2 (2.49) |
| B Overall Width (over tires)* | 7-4 (2.23) |
| C Inside Width of Cab | 3-1 (0.94) |
| D Front Track | 5-11 (1.81) |
| E Wheelbase | 9-0 (2.75) |
| F Overall Length to Front Tires | 14-4 (4.38) |

| Machine Model | 531-70 |
|------------------------------------|-----------------------|
| | ft-in (m) |
| G Overall Length to Front Carriage | 16-4 (4.99) |
| H Ground Clearance | 1-4 (0.40) |
| Outside Turn Radius (over tires) | 12-2 (3.70) |
| Weight | lb (kg) 15,560 (7060) |
| Tires | 15.5/80-24 |

*Dependant upon tire specified.



MAX PAYLOAD: 8,000 lb (3,629 kg) MAX LIFT HEIGHT: 45 ft 2 in (13.8 m) MAX HORSEPOWER: 109 hp (81 kW)



STATIC DIMENSIONS 535-140 HiViz

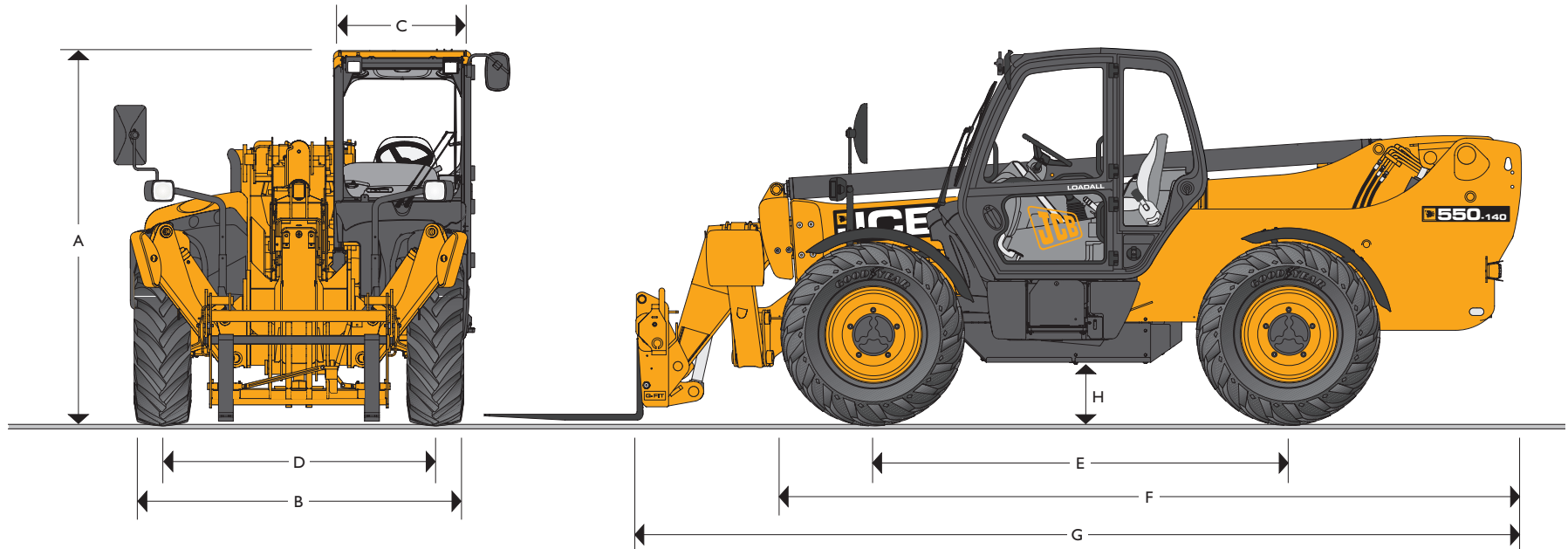
| Machine Model | 535-140 HiViz |
|------------------------------------|---------------|
| | ft-in (m) |
| A Overall Height | 8-6 (2.59) |
| B Overall Width (over tires)* | 7-9 (2.35) |
| C Inside Width of Cab | 3-1 (0.94) |
| D Front Track | 6-3 (1.90) |
| E Wheelbase | 9-0 (2.75) |
| F Overall Length to Front Tires | 15-7 (4.74) |
| G Overall Length to Front Carriage | 20-5 (6.23) |
| H Ground Clearance | 1-4 (0.40) |
| J Front Wheel Center to Carriage | 6-11 (2.11) |

| Machine Model | 535-140 HiViz |
|---|-------------------------|
| | ft-in (m) |
| K Rear Wheel Center to Rear Face | 4-6 (1.37) |
| Overall Width with Stabilizers Fully Deployed | 8-5 (2.57) |
| Outside Turn Radius (over tires) | 12-4 (3.75) |
| Bucket Roll Back Angle @ Ground Level | degrees 37 |
| Bucket Dump Angle @ Boom Fully Raised | degrees 12.5 |
| Weight | lb (kg) 23,986 (10,880) |
| Tires | 15.5/80-24 |

*Dependent upon tire specified.



MAX PAYLOAD: 10,000 lb (4,535 kg) MAX LIFT HEIGHT: 44 ft 3 in (13.5 m) MAX HORSEPOWER: 109 hp (81 kW)



STATIC DIMENSIONS 550-140

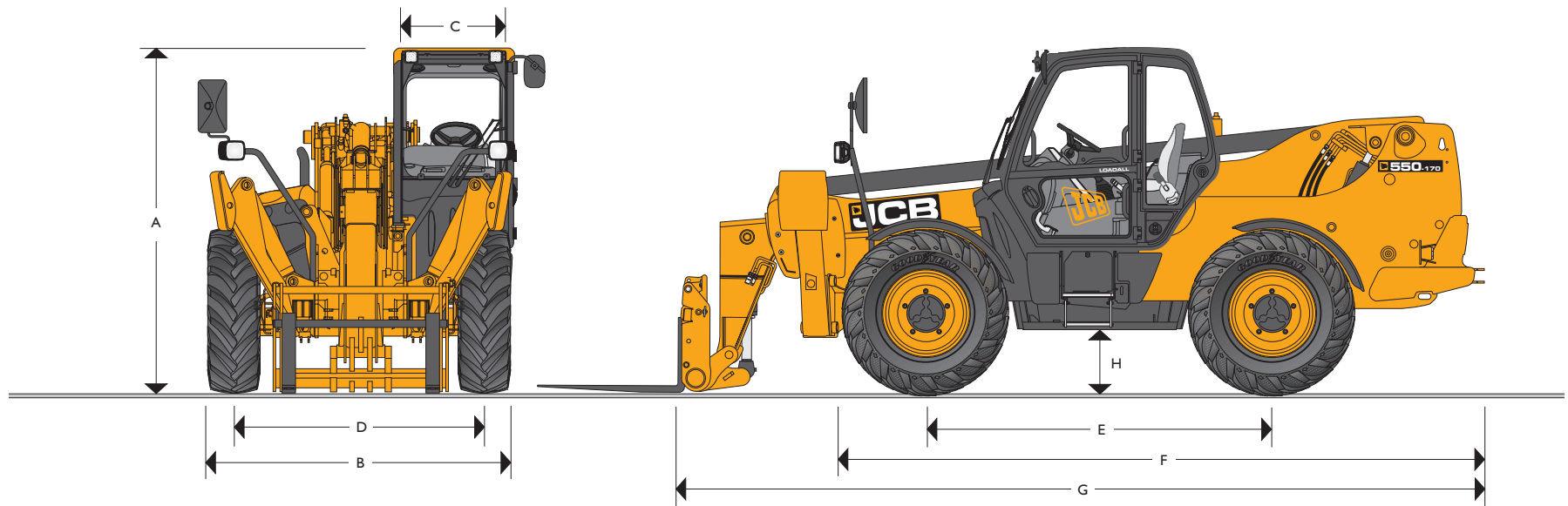
| Machine Model | 550-140 |
|---------------------------------|-------------|
| | ft-in (m) |
| A Overall Height | 8-6 (2.59) |
| B Overall Width (over tires)* | 7-9 (2.35) |
| C Inside Width of Cab | 3-1 (0.94) |
| D Front Track | 6-3 (1.90) |
| E Wheelbase | 9-6 (2.90) |
| F Overall Length to Front Tires | 17-0 (5.18) |

| Machine Model | 550-140 |
|------------------------------------|-------------------------|
| | ft-in (m) |
| G Overall Length to Front Carriage | 20-6 (6.25) |
| H Ground Clearance | 1-4 (0.40) |
| Outside Turn Radius (over tires) | 13-5 (4.10) |
| Weight | lb (kg) 24,449 (11,090) |
| Tires | 15.5-25 |

*Dependant upon tire specified.



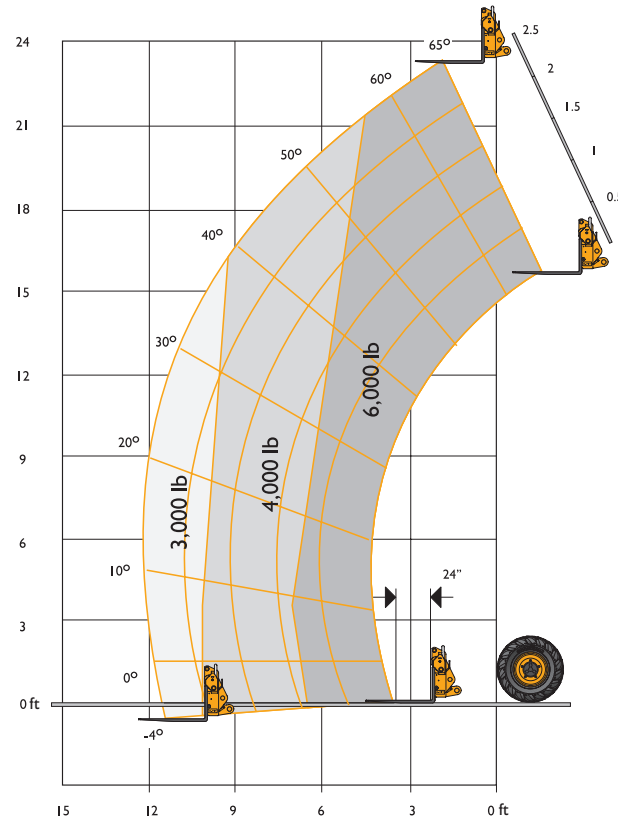
MAX PAYLOAD: 10,000 lb (4,535 kg) MAX LIFT HEIGHT: 54 ft 9 in (16.7 m) MAX HORSEPOWER: 109 hp (81 kW)



STATIC DIMENSIONS 550-170

| Machine Model | 550-170 | Machine Model | 550-170 |
|---------------------------------|-------------|------------------------------------|-------------------------|
| | ft-in (m) | | ft-in (m) |
| A Overall Height | 8-10 (2.69) | G Overall Length to Front Carriage | 20-10 (6.36) |
| B Overall Width (over tires)* | 8-0 (2.44) | H Ground Clearance | 1-4 (0.40) |
| C Inside Width of Cab | 3-1 (0.94) | Outside Turn Radius (over tires) | 13-5 (4.1) |
| D Front Track | 6-3 (1.90) | Weight | lb (kg) 27,494 (12,470) |
| E Wheelbase | 9-0 (2.75) | Tires | 17.5-25 I6PR |
| F Overall Length to Front Tires | 16-8 (5.08) | | |

*Dependant upon tire specified.

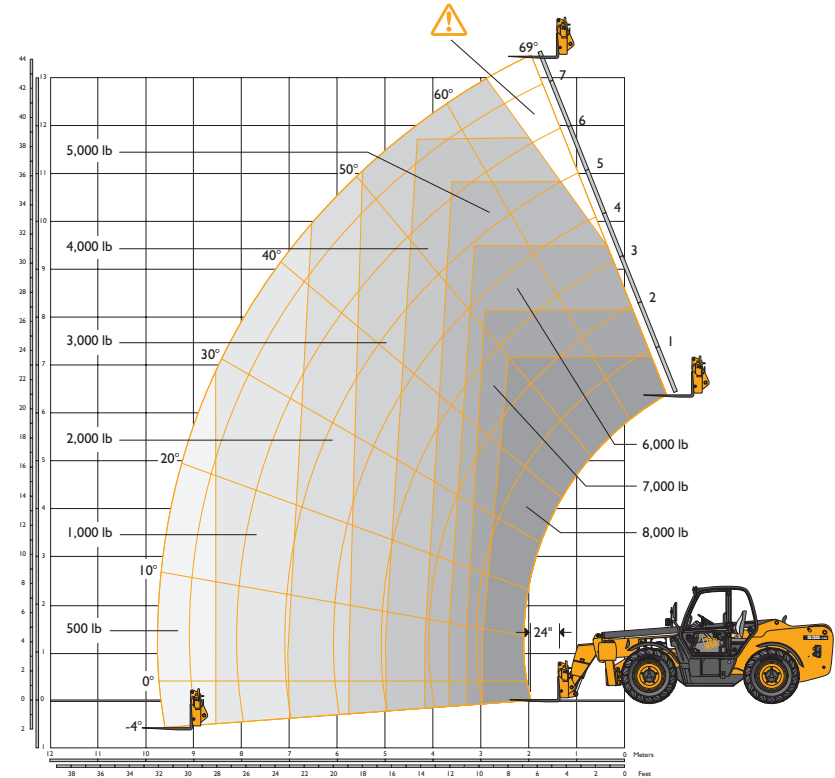
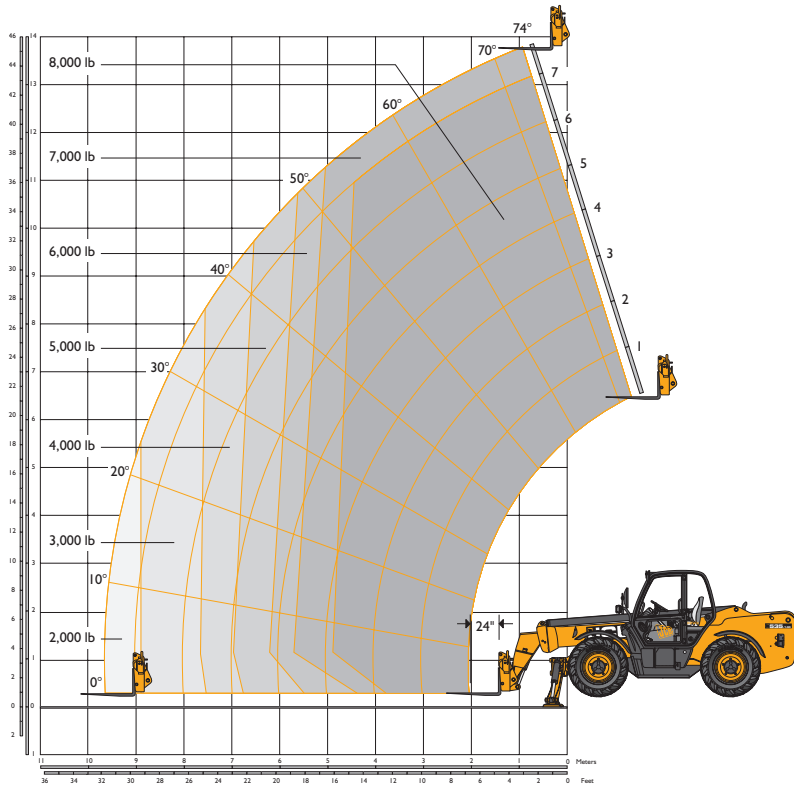


Chassis Levelling (Sway)
With stabilizers retracted (Sway angle $\pm 9^\circ$)

LIFT PERFORMANCE – 531-70 SWAY FRAME

| | | |
|------------------------------|-----------|-------------|
| Maximum Lift Capacity | lb (kg) | 6000 (2722) |
| Lift Capacity to Full Height | lb (kg) | 6000 (2722) |
| Lift Capacity at Full Reach | lb (kg) | 3000 (1250) |
| Lift Height | ft-in (m) | 23-0 (7.0) |
| Reach at Maximum Lift Height | ft-in (m) | 2-0 (0.61) |
| Maximum Forward Reach | ft-in (m) | 12-2 (3.84) |

Complies with stability test ASME B56.6



Chassis Leveling (Sway)
With stabilizers retracted (Sway angle $\pm 9^\circ$)

LIFT PERFORMANCE – STABILIZERS EXTENDED

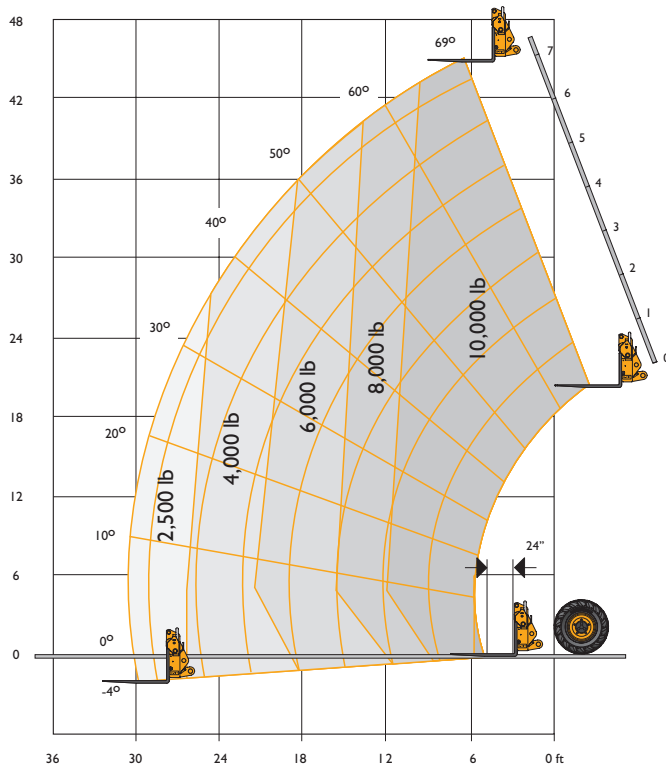
| With Stabilizers Extended | | |
|------------------------------|-----------|--------------|
| Maximum Lift Capacity | lb (kg) | 8000 (3629) |
| Lift Capacity to Full Height | lb (kg) | 7000 (3175) |
| Lift Capacity at Full Reach | lb (kg) | 2000 (907) |
| Lift Height | ft-in (m) | 45-2 (13.78) |
| Reach at Maximum Lift Height | ft-in (m) | 3-0 (0.93) |
| Maximum Forward Reach | ft-in (m) | 31-6 (9.60) |
| Reach with 1 Ton Load | ft-in (m) | 31-6 (9.60) |
| Placing Height | ft-in (m) | 43-8 (13.30) |

Complies with stability test ASME B56.6

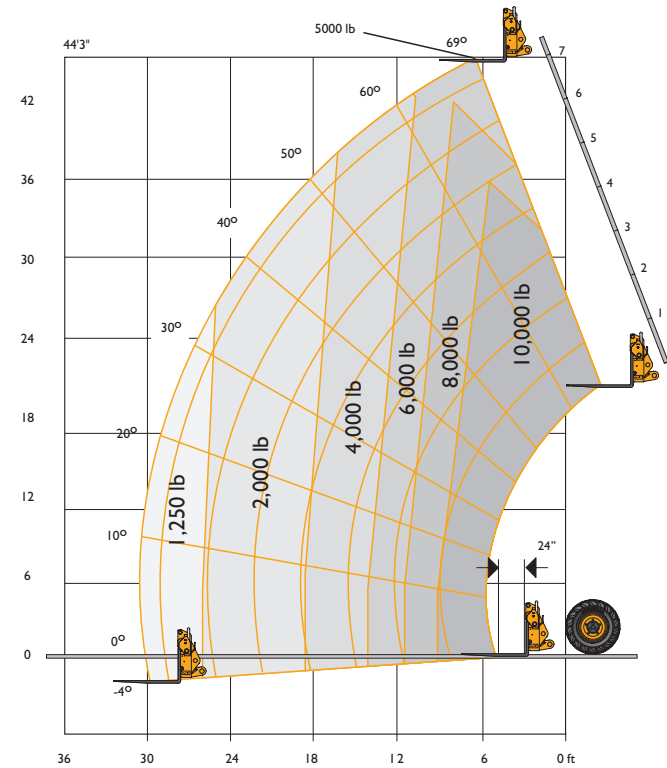
LIFT PERFORMANCE – STABILIZERS RETRACTED

| With Stabilizers Retracted | | |
|------------------------------|-----------|--------------|
| Maximum Lift Capacity | lb (kg) | 8000 (3629) |
| Lift Capacity to Full Height | lb (kg) | 3000 (1361) |
| Lift Capacity at Full Reach | lb (kg) | 500 (227) |
| Lift Height | ft-in (m) | 44-2 (13.47) |
| Reach at Maximum Lift Height | ft-in (m) | 6-4 (1.94) |
| Maximum Forward Reach | ft-in (m) | 31-10 (9.70) |
| Reach with 1 Ton Load | ft-in (m) | 21-8 (6.61) |
| Placing Height | ft-in (m) | 42-9 (13.02) |

Complies with stability test ASME B56.6



Ballasted Tires



Chassis Levelling (Sway)
With stabilisers retracted (Sway angle $\pm 9^\circ$)
Ballasted Tires

LIFT PERFORMANCE – 550-140 STABILIZERS DOWN

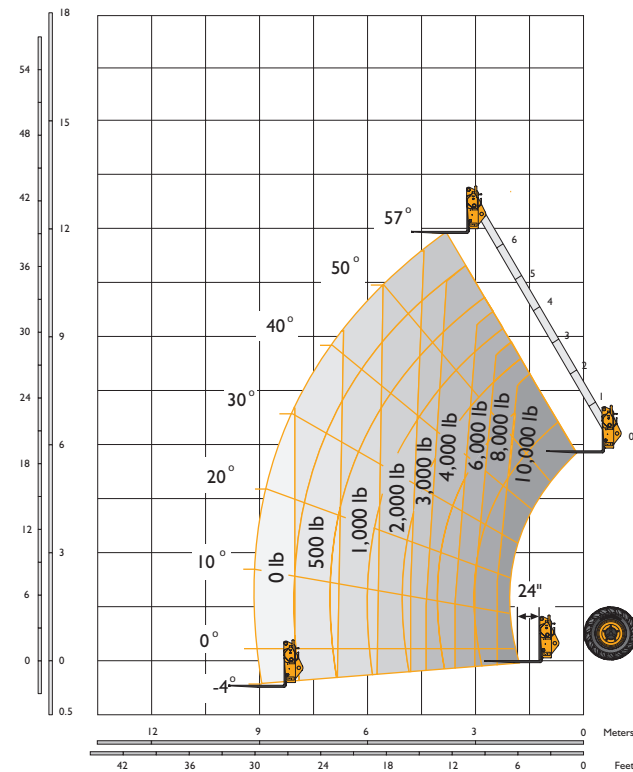
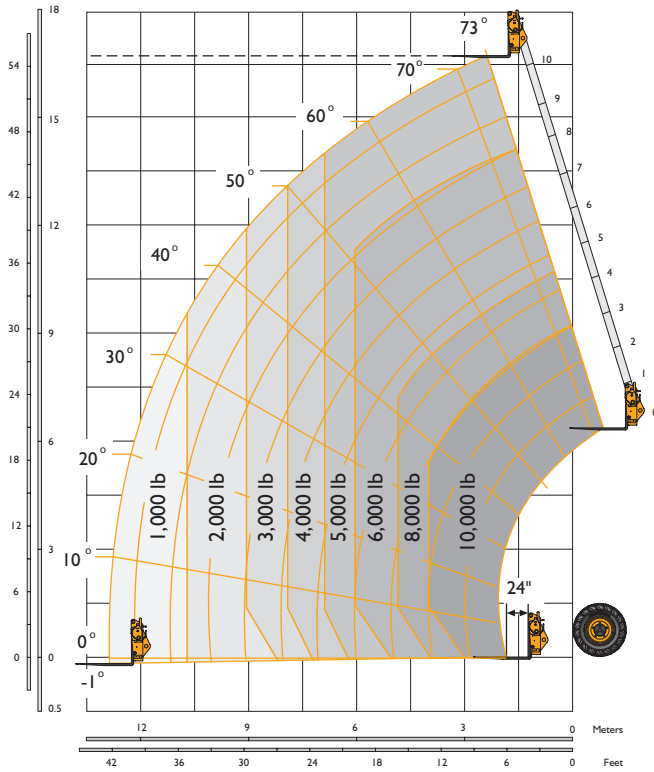
| With Stabilizers Down | | |
|------------------------------|-----------|---------------|
| Maximum Lift Capacity | lb (kg) | 10,000 (4535) |
| Lift Capacity to Full Height | lb (kg) | 10,000 (4535) |
| Lift Capacity at Full Reach | lb (kg) | 2500 (1133) |
| Lift Height | ft-in (m) | 44-3 (13.50) |
| Reach at Maximum Lift Height | ft-in (m) | 5-6 (1.71) |
| Maximum Forward Reach | ft-in (m) | 30-8 (9.39) |

Complies with stability test ASME B56.6

LIFT PERFORMANCE – 550-140 STABILIZERS UP

| With Stabilizers Up | | |
|------------------------------|-----------|---------------|
| Maximum Lift Capacity | lb (kg) | 10,000 (4535) |
| Lift Capacity to Full Height | lb (kg) | 6000 (2721) |
| Lift Capacity at Full Reach | lb (kg) | 1250 (567) |
| Lift Height | ft-in (m) | 44-3 (13.50) |
| Reach at Maximum Lift Height | ft-in (m) | 5-6 (1.71) |
| Maximum Forward Reach | ft-in (m) | 30-8 (9.39) |

Complies with stability test ASME B56.6



Chassis Levelling (Sway)
With stabilizers retracted (Sway angle $\pm 9^\circ$)

LIFT PERFORMANCE – 550-170 STABILIZERS DOWN

| With Stabilizers Down | | |
|------------------------------|-----------|---------------|
| Maximum Lift Capacity | lb (kg) | 10,000 (4535) |
| Lift Capacity to Full Height | lb (kg) | 5000 (2269) |
| Lift Capacity at Full Reach | lb (kg) | 1000 (453) |
| Maximum Lift Height | ft-in (m) | 54-9 (16.70) |
| Reach at Maximum Lift Height | ft-in (m) | 6-8 (2.03) |
| Maximum Forward Reach | ft-in (m) | 41-5 (12.60) |
| Placing Height | ft-in (m) | 53-2 (16.20) |

Complies with stability test ASME B56.6

LIFT PERFORMANCE – 550-170 STABILIZERS UP

| With Stabilizers Retracted | | |
|--------------------------------------|-----------|---------------|
| Maximum Lift Capacity | lb (kg) | 10,000 (4535) |
| Lift Capacity to Maximum Lift Height | lb (kg) | 3000 (1361) |
| Lift Capacity at Full Reach | lb (kg) | 0 (0) |
| Maximum Lift Height | ft-in (m) | 42-10 (13.06) |
| Reach at Maximum Lift Height | ft-in (m) | 7-0 (2.13) |
| Maximum Forward Reach | ft-in (m) | 30-0 (9.14) |
| Placing Height | ft-in (m) | 35-9 (10.90) |

Complies with stability test ASME B56.6



ENGINE - JCB DIESELMAX

Latest technology and advanced design provides low fuel consumption, reduced noise, high torque and power output, total reliability and minimal maintenance.

Two-stage, dry type air filter with primary and safety elements. **EPA Tier III emissions compliant.**

| Machine Model | | 531-70 | 535-140 HiViz / 550-140 / 550-170 |
|----------------------|---------------------|-----------|-----------------------------------|
| Displacement | in ³ (l) | 269 (4.4) | 269 (4.4) |
| No of Cylinders | | 4 | 4 |
| Aspiration | | Turbo | Turbo |
| Power Rating | | | |
| Power @ 2200 rpm | hp (kW) | 74 (55) | 109 (81KW) |
| Torque Rating | | | |
| Torque @ 1200 rpm | lbf ft (nm) | 295(400) | |
| Torque @ 1500 rpm | lbf ft (nm) | | 381 (516) |

TRANSMISSION

JCB powershift transmission incorporating torque converter, bevel box and a 4 speed powershift gearbox in one resiliently mounted unit.

A combined steering column mounted switch incorporating directional control and 4 forward and 4 reverse powershift gears.

Travel speed 16 mph (25 km/h), optional 20.5 mph (33 km/h). For 531-70, 17 mph (28 km/h), 20 mph (32 km/h) with 2/4 WD

Front and Rear Drive Axles: JCB epicyclic hub reduction drive/steer axles with Max-Trac torque proportioning differentials. Permanent 4 wheel drive.

BRAKES

Service Brakes: Servo-assisted-hydraulically activated, self-adjusting, oil-immersed multi-disc type on front and rear axle.

Parking Brake: Hand operated disc brake on output of gearbox.

BOOM AND CARRIAGE

Boom is manufactured from high tensile steel.

Low maintenance, hard wearing pads.

JCB Q-fit self-levelling carriage with lever operated pin locking accepts pallet forks and a wide range of attachments.

One boom end auxiliary hydraulic service fitted as standard.

SAFETY CHECK VALVES

Fitted to carriage tilt, telescopic and boom lift cylinders.



SERVICE CAPACITIES

| Machine Model | | 531-70 | 535-140 | 550-140 | 550-170 |
|----------------|---------|----------|----------|----------|----------|
| Fuel Tank | gal (l) | 39 (148) | 33 (125) | 33 (125) | 33 (125) |
| Hydraulic Tank | gal (l) | 29 (113) | 34 (127) | 35 (131) | 40 (150) |
| Coolant | gal (l) | 6 (23) | 6 (23) | 6 (23) | 6 (23) |

STEERING

Hydrostatic power steering. (531-70 comes w/ power track rods on both axles)
 Three steer mode options: front wheel steer; all wheel steer; crab steer: operated from in the cab by a selection lever.

OPTIONS AND ACCESSORIES

Options: Front and rear working lights, industrial tires, electrical 2/4WD select, radio kit, air conditioning, air suspension seat, deluxe cab trim, windshield and roof guard.

Attachments: Contact your local dealer for details of the comprehensive range.

ELECTRICS

12 v negative earth. 850 CCA battery. 95 amp alternator. Hazard warning. Reverse alarm. Optional full road lighting. Reversing light. Direction indicators.

CAB

Quiet safe and comfortable cab conforms to ROPS ISO 3471 and FOPS ISO 3449. Tinted glass all round. Laminated roof screen. Roof bars, front, rear and roof screen wiper/washer and heater/screen defroster. Opening rear window. Audio-visual warning system for coolant temperature, engine oil pressure, air cleaner, battery charge, transmission oil, water in fuel temperature and pressure. Hourmeter and road speed indicator. Engine temperature, fuel gauge and inclinometer.

Adjustable steer column with stalk bar powershift change and forward reverse shuttle. Throttle and brake pedal.

Adjustable suspension seat with adjacent mechanically activated park brake. Includes leveling inclinometer. Safety canopy as above but with side glass and roof glass only (screen wiper and heater/screen defroster not applicable).

HYDRAULICS

| Two Stage Gear Pump with Suction Strainer and Filter: | | 531-170 | 535-140 | 550-140 | 550-170 |
|---|-----------------|----------------|----------------|----------------|----------------|
| Operating System Pressure | psi (bar) | 3500 (241) | 3770 (260) | 3500 (241) | 3770 (260) |
| Pump Flow | gal/min (l/min) | 21.6 (82) | 29 (110) | 29 (110) | 43 (162) |
| Hydraulic Cycle Times | | Seconds | Seconds | Seconds | Seconds |
| Boom Raise | | 7.2 | 13.5 | 14.2 | |
| Boom Lower | | 5.4 | 11 | 11.9 | |
| Extend | | 6.8 | 15.6 | 22.3 | |
| Retract | | 5.0 | 14.4 | 18.6 | |
| Bucket Dump | | 3.5 | 1.7 | 2.4 | 4.7 |
| Bucket Crowd | | 2.9 | 2.0 | 3.2 | 5.1 |
| Boom Raise and Extend | | | | | 41.8 |
| Boom Lower and Retract | | | | | 33 |



A GLOBAL COMMITMENT TO QUALITY

JCB's total commitment to its products and customers has helped it grow from a one-man business into one of the world's largest manufacturers of backhoe loaders, crawler excavators, wheeled excavators, telescopic handlers, wheeled loaders, dump trucks, rough terrain fork lifts, industrial fork lifts, mini/midi excavators, skid steer loaders and tractors.

By making constant and massive investments in the latest production technology, the JCB factories have become some of the most advanced in the world.

By leading the field in innovative research and design, extensive testing and stringent quality control, JCB machines have become renowned all over the world for performance, value and reliability.

And with an extensive dealer sales and service network in over 150 countries, we aim to deliver the best customer support in the industry.

Through setting the standards by which others are judged, JCB has become one of the world's most impressive success stories.



JCB Headquarters Savannah, 2000 Bamford Blvd, Savannah, GA 31322 Tel: (912) 447-2000 Fax: (912) 447-2299 www.jcb.com

JCB reserves the right to change design, materials and/or specifications without notice. Specifications are applicable to units sold in the United States and Canada. The JCB logo is a registered trademark of J.C. Bamford Excavators Ltd.